



SPECIFICATIONS VIBRACON®



MEDIR international bv

P.O. Box 342
NL-2980 AH Ridderkerk
Tinstraat 85 - 87
NL-2984 AN Ridderkerk

T +31 (0)180 46 44 82
F +31 (0)180 46 40 72
E info@medir.eu
I www.medir.eu

CHAMBER OF COMMERCE
Rotterdam 24391546
VAT ID
NL-8155.15.820.B01

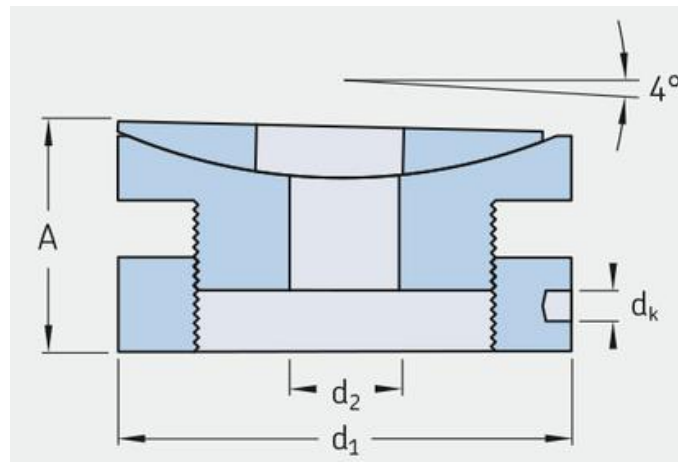
IBAN
NL81 RABO 0110 4513 33
BIC
RABONL2U



Vibracon Original / Vibracon Surface Treated / Vibracon Stainless Steel

All measures in millimetres

Art. (CS/CSTR/ SS)	M Bolt size	A min. height	A nominal height	A max. height	Min. reduced height 1)	d1 ø	d2 bolt hole	dk key holes	Pitch	Mass kg	Tightening torque 1) Nm	Max. bolt size 2)	Machine load 3) kN	Proof load 4) kN
SM 12	M12	30	34	38	23	60	17	6	1	0,6	85	M16	8	160
SM 16	M16	35	40	45	26	80	21	6	1,5	1,2	215	M20	15	175
SM 20	M20	40	45	50	31	100	25	8	2	2,2	420	M24	25	250
SM 24	M24	45	51	57	34	120	31	8	2	3,5	730	M30	35	420
SM 30	M30	50	56	62	39	140	37	10	2	5,3	1 460	M36	60	600
SM 36	M36	55	61	67	44	160	44	10	2	7,5	2 570	M42	90	775
SM 42	M42	60	66	72	49	190	50	10	2	12,0	4 125	M48	120	1 275
SM 48	M48	70	77	85	56	220	60	10	3	17,0	6 210	M56	160	1 300
SM 56	M56	75	82	90	61	230	66	12	3	23,0	10 035	M64	225	1 750
SM 64	M64	80	87	95	66	250	74	12	3	27,0	15 165	M72	300	1 900



MEDIR international bv

PO. Box 342
NL-2980 AH Ridderkerk
Tinstraat 85 - 87
NL-2984 AN Ridderkerk

T +31 (0)180 46 44 82
F +31 (0)180 46 40 72
E info@medir.eu
I www.medir.eu

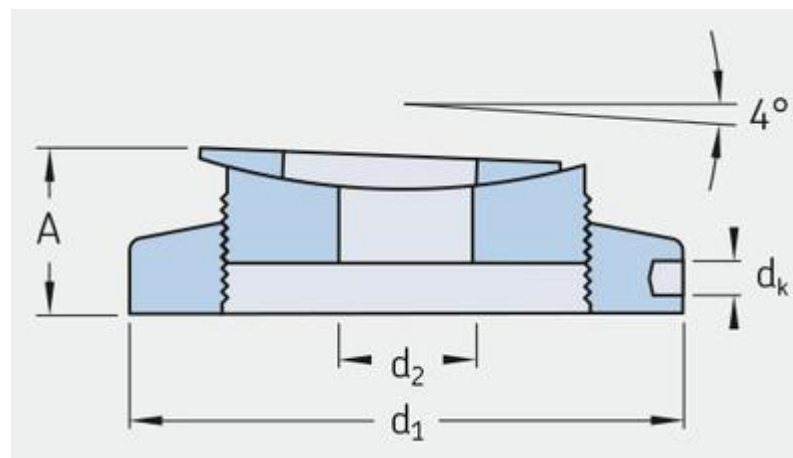
CHAMBER OF COMMERCE
Rotterdam 24391546
VAT ID
NL-8155.15.820.B01

IBAN
NL81 RABO 0110 4513 33
BIC
RABONL2U

Low profile

All measures in millimetres

Art. (LP)	M Bolt size	A min. height	A nominal height	A max. height	Min. reduced height 1)	d1 ø	d2 bolt hole	dk key holes	Pitch	Mass kg	Tightening torque 1) Nm	Max. bolt size 2)	Machine load 3) kN	Proof load 4) kN
SM 16	M16	20	25	30	20	80	21	6	1,5	0,6	215	M20	15	255
SM 20	M20	20	25	30	20	100	25	6	2	0,9	420	M24	25	270
SM 24	M24	20	25	30	20	120	31	6	2	1,3	730	M30	35	310
SM 30	M30	20	25	30	20	140	37	6	2	1,8	1 460	M36	60	475
SM 36	M36	30	35	40	30	160	44	6	2	3,7	2 570	M42	90	1 000
SM 42	M42	35	40	45	35	190	50	6	2	6,2	4 125	M48	120	1 625



MEDIR international bv

P.O. Box 342
NL-2980 AH Ridderkerk
Tinstraat 85 - 87
NL-2984 AN Ridderkerk

T +31 (0)180 46 44 82
F +31 (0)180 46 40 72
E info@medir.eu
I www.medir.eu

CHAMBER OF COMMERCE
Rotterdam 24391546
VAT ID
NL-8155.15.820.B01

IBAN
NL81 RABO 0110 4513 03
BIC
RABONL2U